

FIG. 1

P E JC177
JUL 0 8 2004
PATENT & TRADEMARK OFFICE

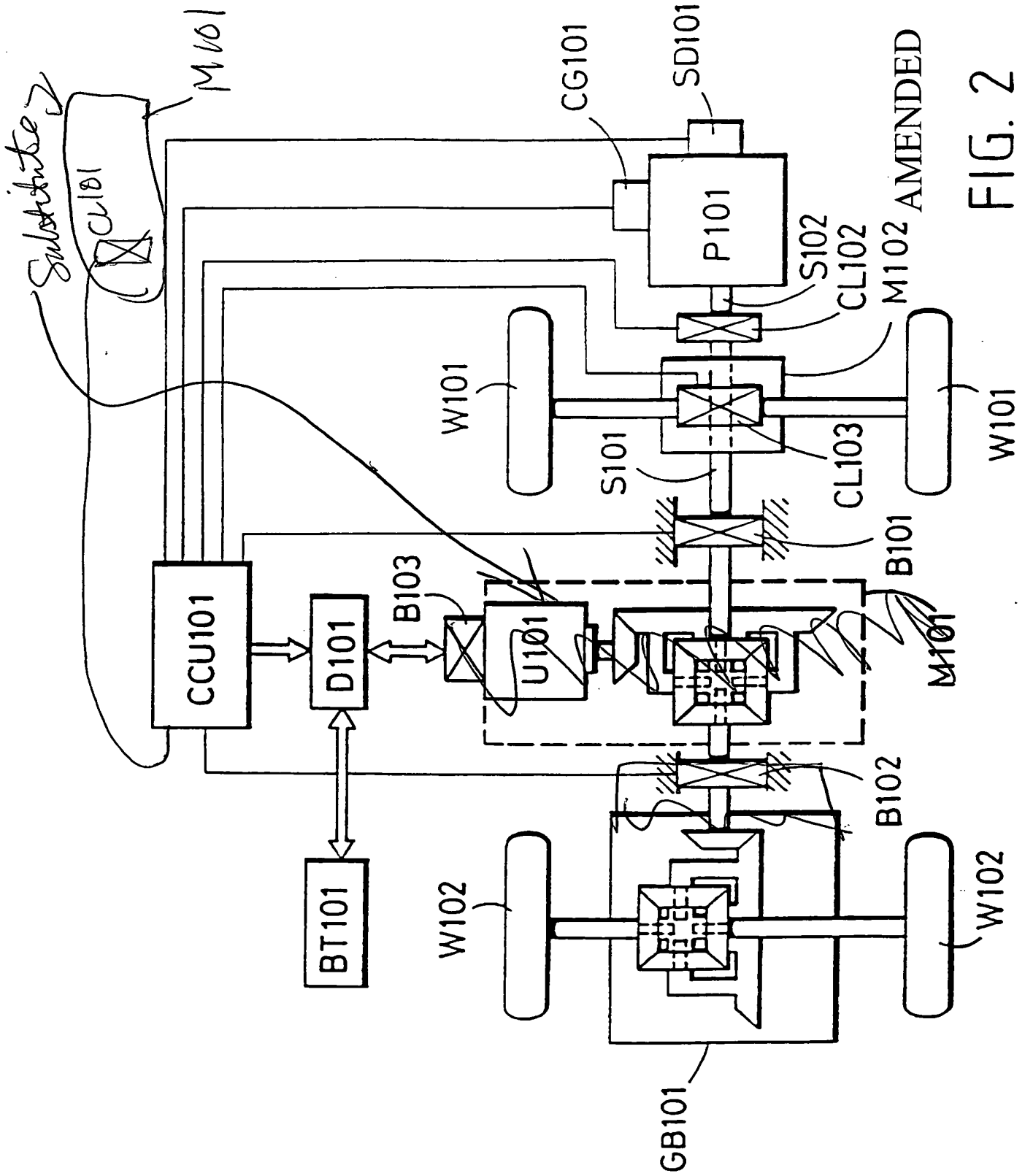


FIG. 2

O I P E J C I 7 7
J U L 0 8 2 0 0 4
P A T E N T & T R A D E M A R K O F F I C E

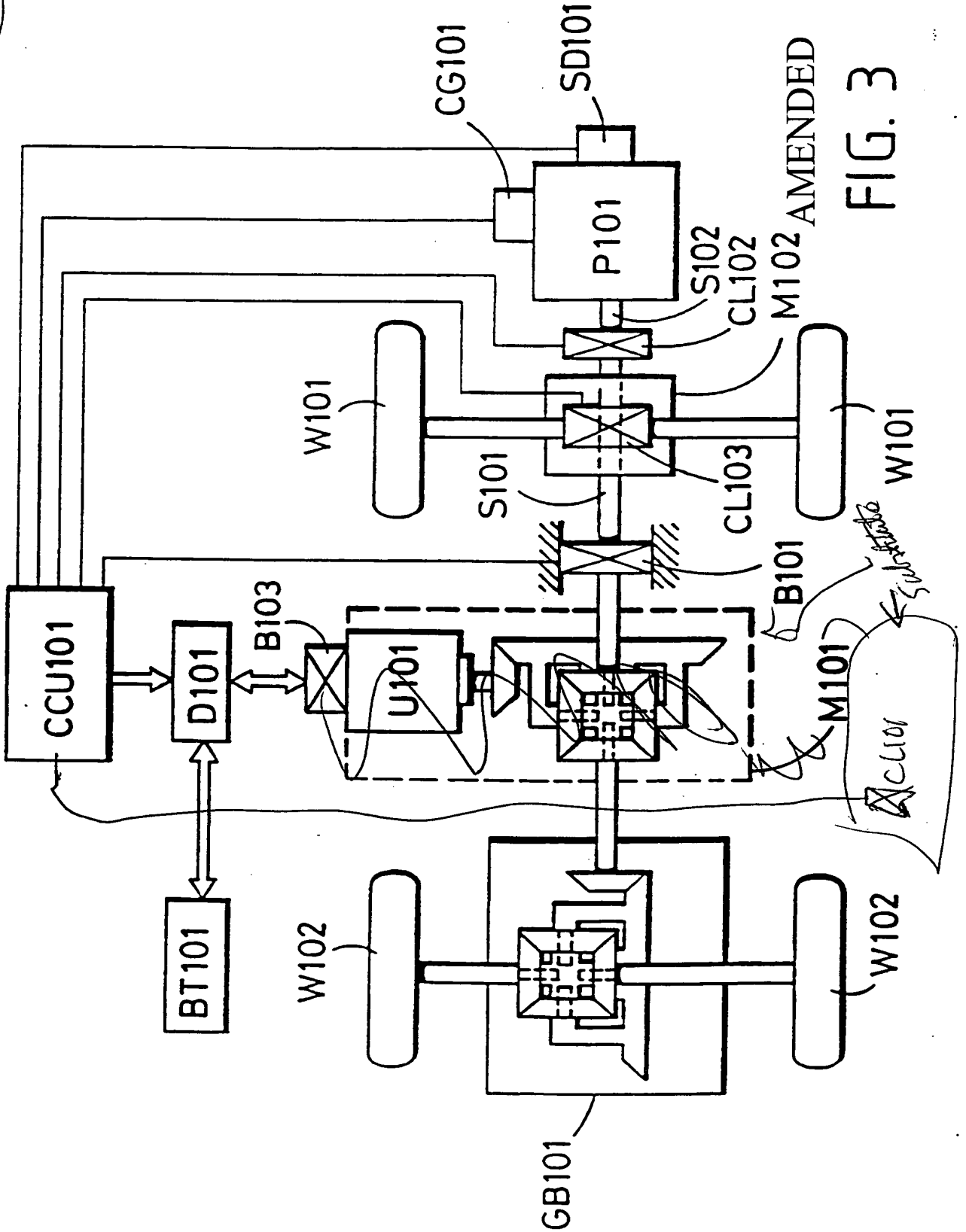


FIG. 3

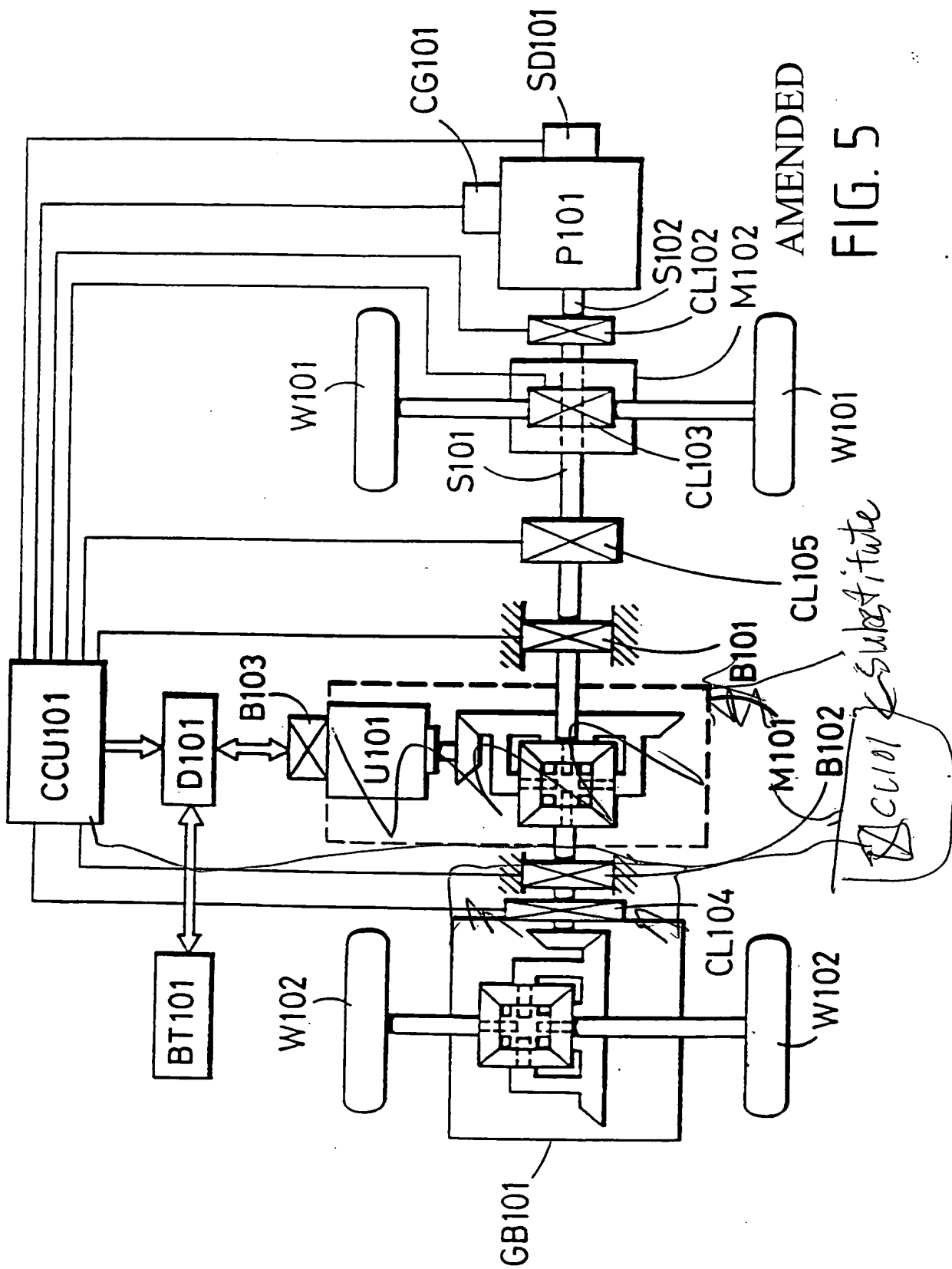
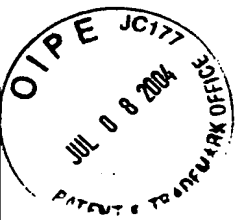
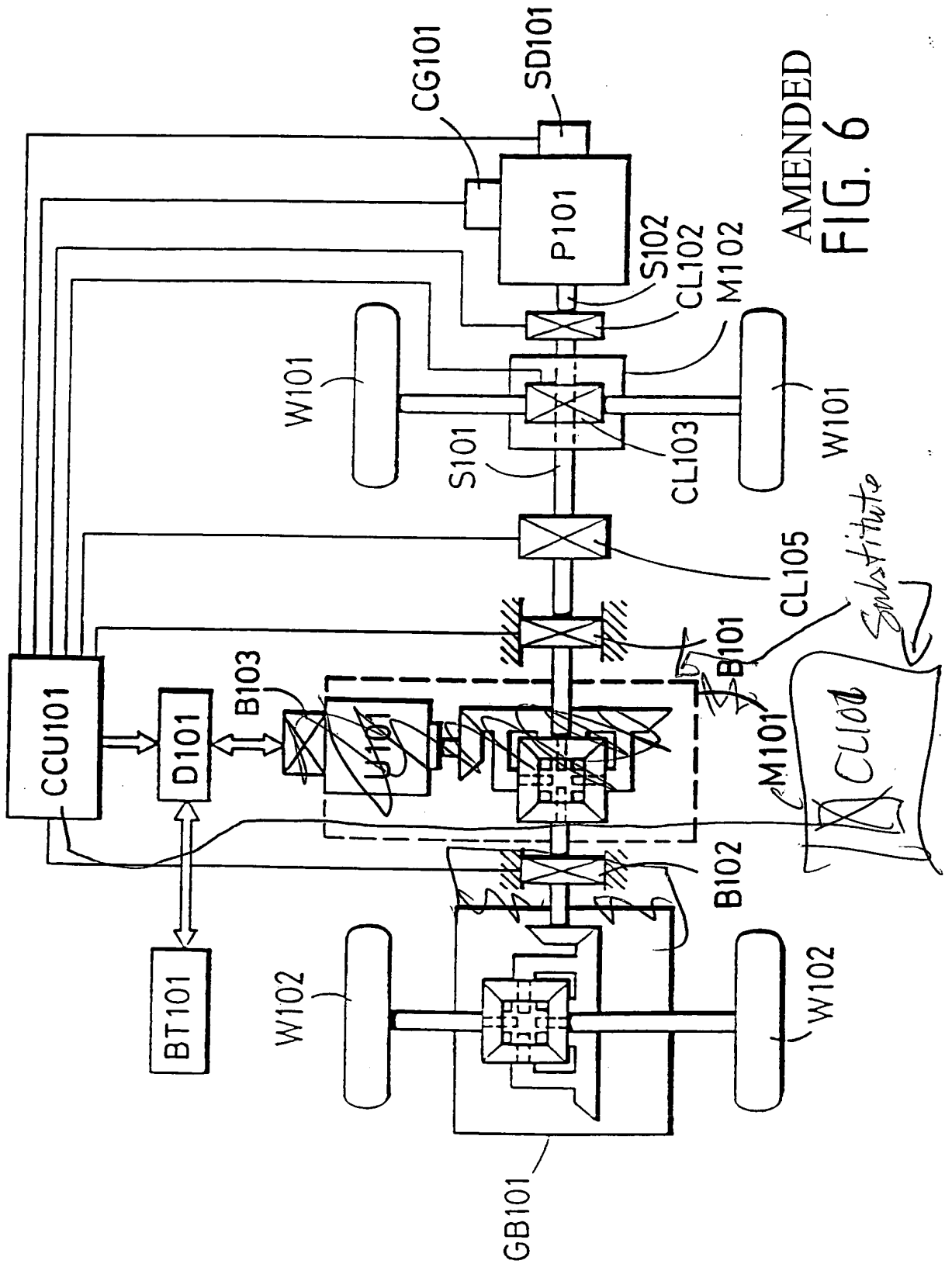
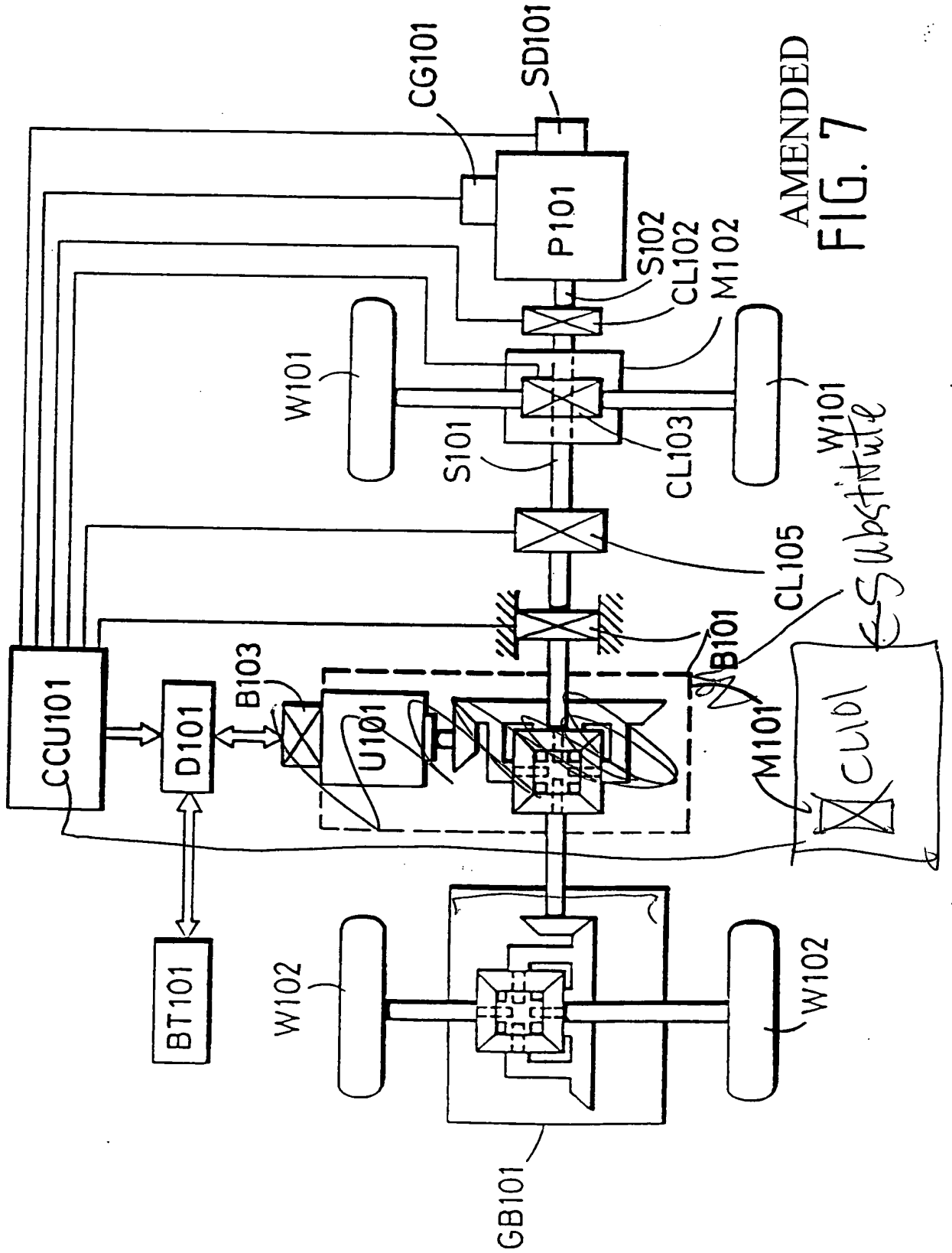
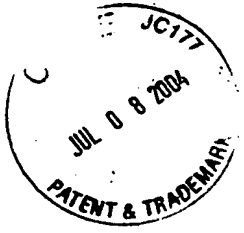


FIG. 5



AMENDED
FIG. 6



JUL 08 2004
PATENT & TRADEMARK
E JC

